



HOSHIZAKI

Parts List

Modular Crescent Cuber

Models

KM-90 IMAJ

KM-90 IMWJ

KM-90 IMRJ/3



hoshizakiamerica.com

Number: 71391
Issued: 10-23-2017
Revised: 3-7-2019

CONTENTS

Auxiliary Codes.....	3
Note About Ordering Parts	3
A. Main Assembly & Refrigeration Circuit	4
KM-901MAJ	4
KM-901MWJ.....	6
KM-901MRJ/3.....	8
B. Water Circuit	10
C. Control Box Assembly	13
D. Accessories & Labels	14

Auxiliary Codes

KM-901MAJ

G-0 May 2017
G-1 October 2017
H-0 January 2018
H-1 March 2018
H-2 September 2018
J-0 January 2019

KM-901MWJ

G-0 May 2017
G-1 October 2017
H-0 January 2018
H-1 April 2018
H-2 October 2018
J-0 January 2019

KM-901MRJ

G-0 May 2017
G-1 October 2017
H-0 January 2018
H-1 March 2018
H-2 September 2018
J-0 January 2019

KM-901MRJ3

G-0 July 2017
G-1 November 2017
H-0 January 2018
H-1 September 2018

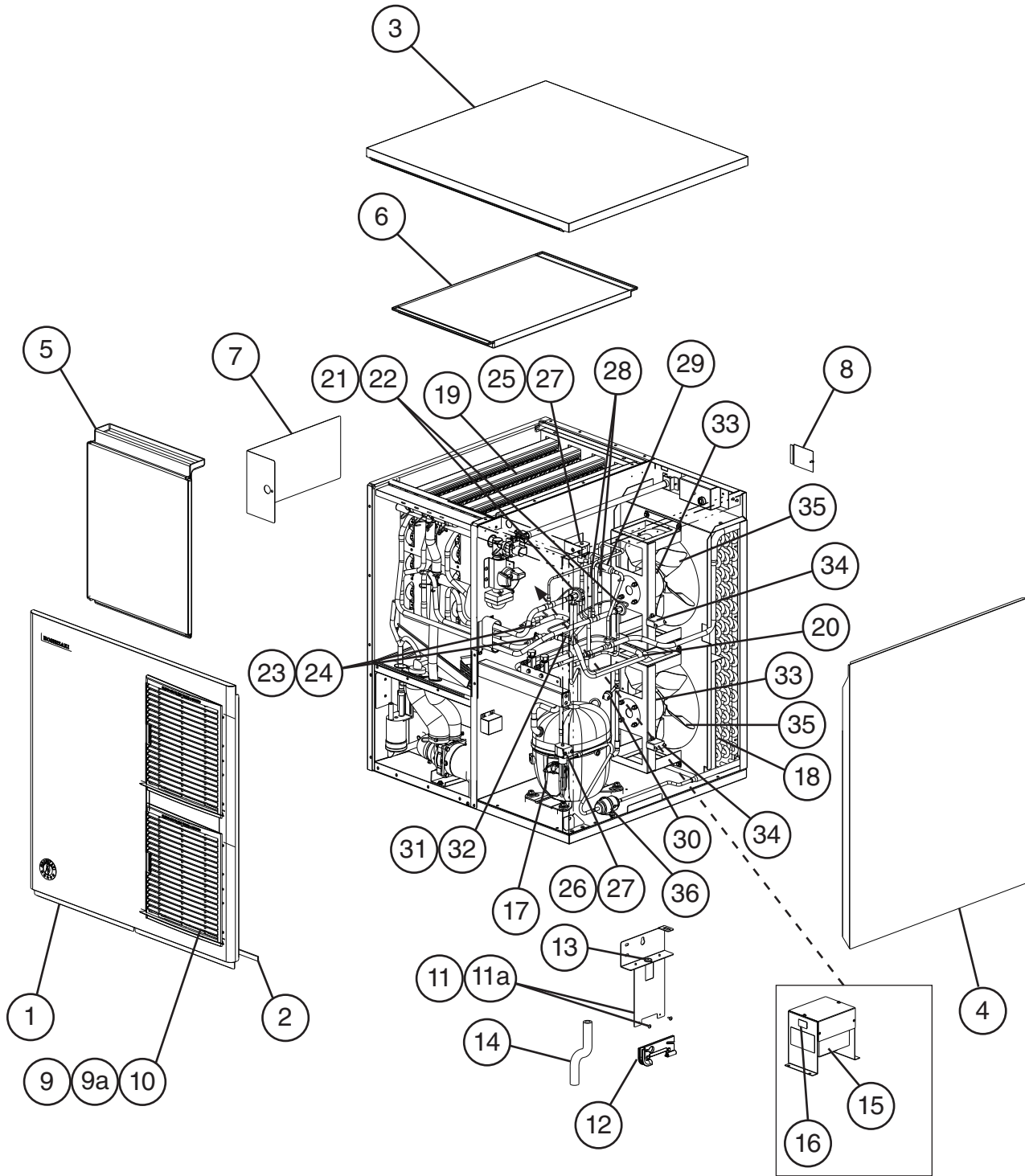
Auxiliary Code Breakdown

The auxiliary code is the first two characters in the serial number. The first character indicates the year. Years progress or regress in alphabetical order. The series runs from "A" through "V" and the letters "I" and "O" are skipped. The second character indicates significant part changes within a year. Base is "0" and this number advances for each change. In cases where there is a letter in parentheses, this designates the month. This is the last character in the serial number. The series runs from "(A)" through "(M)" and the letter "(I)" is skipped. This designation is only included when identifying a parts change within an auxiliary code.

Note About Ordering Parts

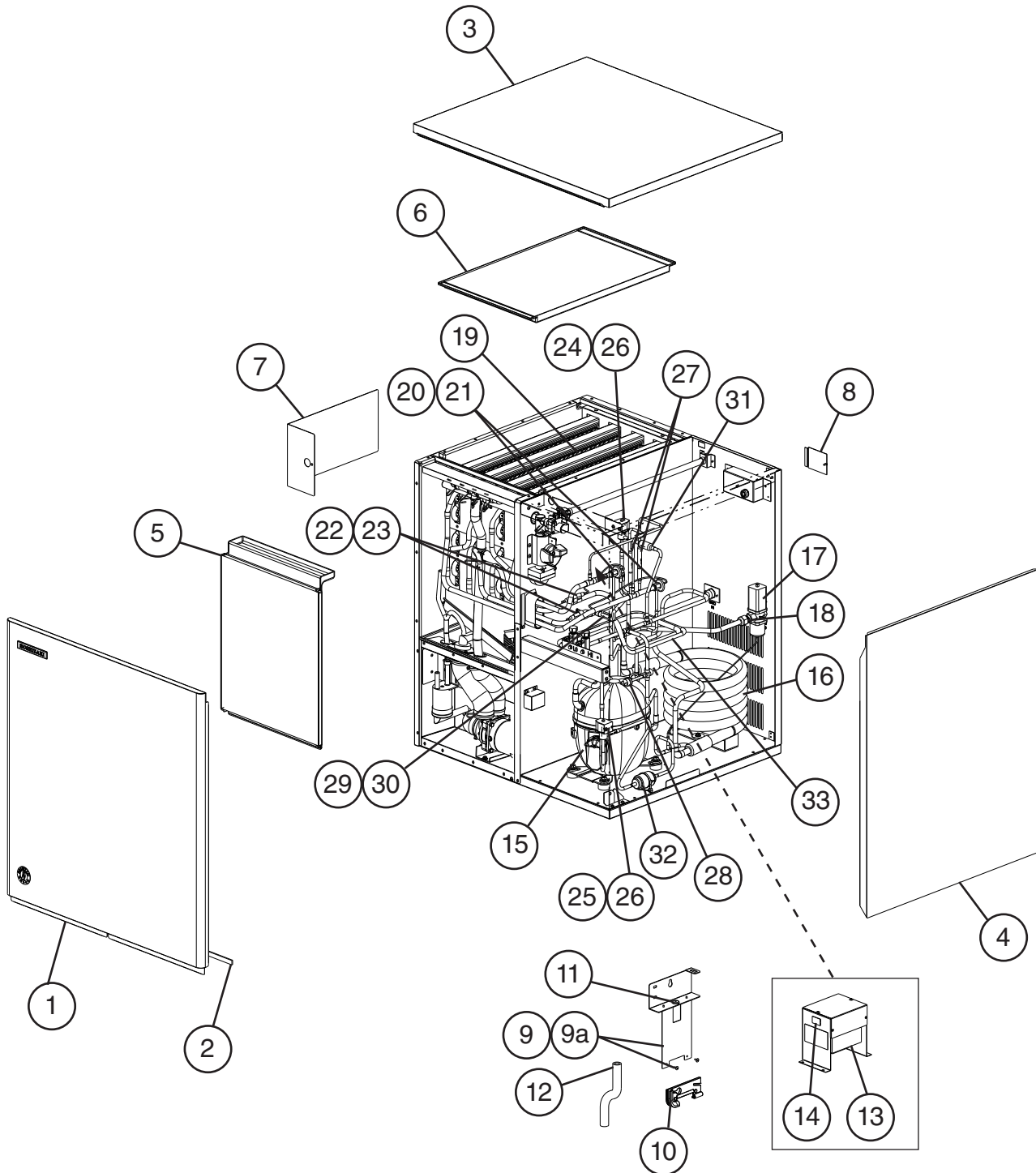
Most assemblies cannot be ordered as complete units; parts in the assemblies generally must be ordered separately.

A. Main Assembly & Refrigeration Circuit
KM-901MAJ
 G-0 to J-0



Title: A. Main Assembly & Refrigeration Circuit Model: KM-901MAJ												
Index No.	Description	Material or Model Number	Part Number	G-0 to J-0	Required Number							
Main Assembly												
1	Front Panel		1A3621-01	1								
2	Gasket	L=762 mm	4A0808L02	1								
3	Top Panel		3A1941A01	1								
4	Right Side Panel		1A3617G01	1								
5	Front Insulation		3A8392G01	1								
6	Top Insulation		322714G01	1								
7	Control Box Cover		3A9007-01	1								
8	Junction Box Cover		433410-01	1								
9	Louver		1A0547-01	2								
9a	Push Retainer		4A2414-01	6								
10	Air Filter		2A2062G01	2								
11	Thermostatic Bulb Holder		322815G02	1								
11a	Thumbscrew		415949G10	2								
12	Thermostatic Bulb Holder		3A3903-01	1								
13	Thermostatic Capillary Tube Bushing		425307-02	1								
14	Silicone Hose	L=285 mm	7730I3812	1								
15	Main Transformer		4A5695-01	1								
16	Voltage Tap Switch		4A1477-01	1								
Refrigeration Circuit												
17	Compressor		3A6900-01	1								
18	Condenser		1A4459-01	1								
19	Evaporator		1A3820G01	1								
20	Heat Exchanger		1A4600G01	1								
21	Thermostatic Expansion Valve		4A4008-01	2								
22	Thermostatic Expansion Valve Cover		3A0944-01	2								
23	Thermostatic Expansion Valve Bulb Holder		3A0107-01	2								
24	Clamp		443461-02	2								
25	Hot Gas Valve Body		4A3978-01	1								
26	Liquid Line Valve Body		4A3276-01	1								
27	Valve Coil		4A3277-01	2								
28	Check Valve		4A1373-01	2								
29	Strainer		441569-02	1								
30	High-Pressure Switch		463180-04	1								
31	Thermistor		429006-03	1								
32	Thermistor Holder		427430-01	1								
33	Fan Motor		4A3158-01	2								
34	Fan Motor Capacitor	5MFD, 250VAC	4A6435-02	2								
35	Fan Blade		4A3959-01	2								
36	Drier		4A1113-01	1								

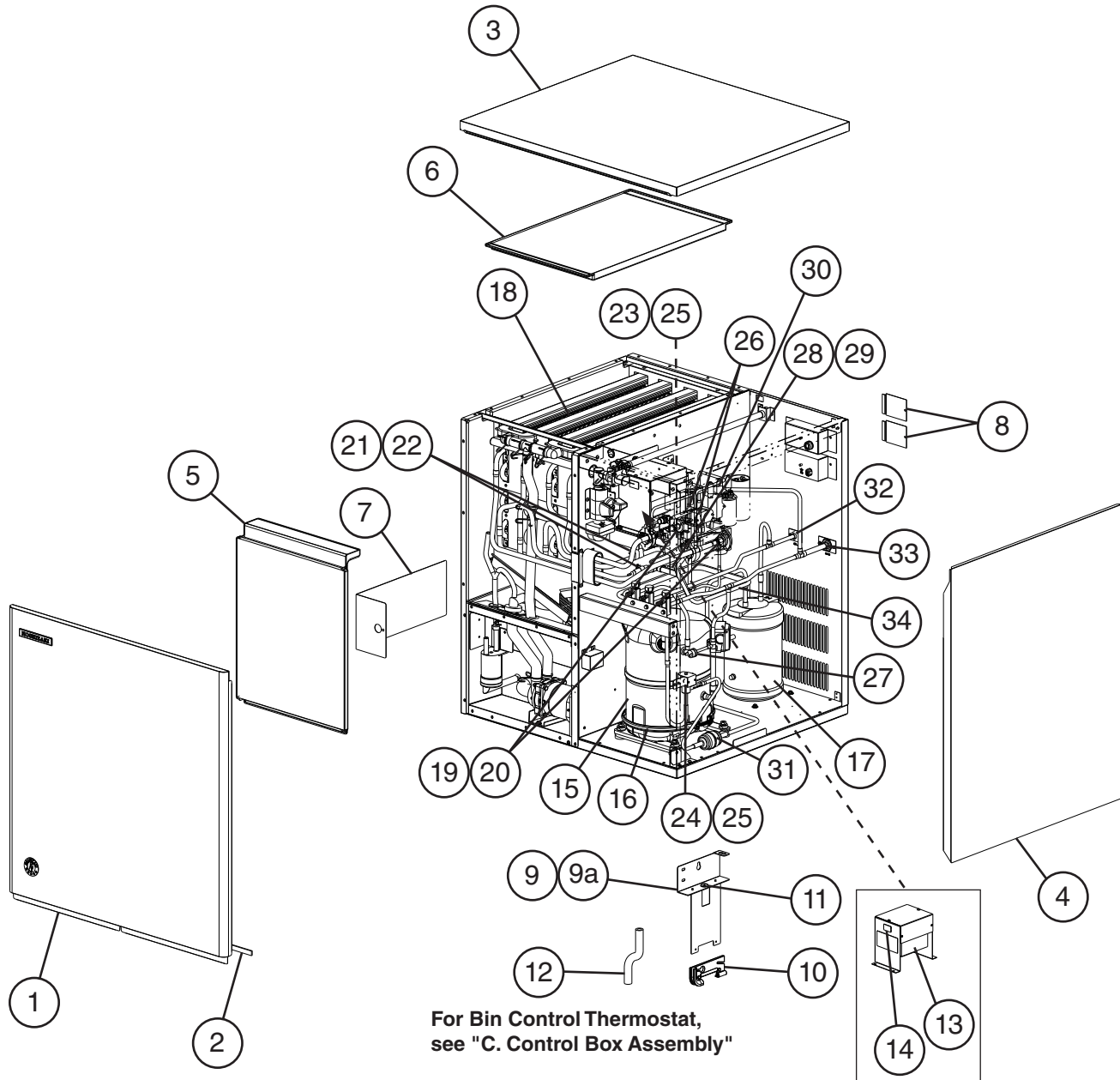
A. Main Assembly & Refrigeration Circuit
KM-901MWJ
 G-0 to J-0



For Bin Control Thermostat,
 see "C. Control Box Assembly"

Title: A. Main Assembly & Refrigeration Circuit Model: KM-901MWJ												
Index No.	Description	Material or Model Number	Part Number	G-0 to J-0	Required Number							
Main Assembly												
1	Front Panel		1A3621-02	1								
2	Gasket	L=762 mm	4A0808L02	1								
3	Top Panel		3A1941A01	1								
4	Right Side Panel		1A3617G01	1								
5	Front Insulation		3A8392G01	1								
6	Top Insulation		322714G01	1								
7	Control Box Cover		3A9007-01	1								
8	Junction Box Cover		433410-01	1								
9	Thermostatic Bulb Holder Assembly		322815G02	1								
9a	Thumbscrew		415949G10	2								
10	Thermostatic Bulb Holder		3A3903-01	1								
11	Thermostatic Capillary Tube Bushing		425307-02	1								
12	Silicone Hose	L=285 mm	773013812	1								
13	Main Transformer		4A5695-01	1								
14	Voltage Tap Switch		4A1477-01	1								
Refrigeration Circuit												
15	Compressor		3A6900-01	1								
16	Water-Cooled Condenser		3A7323-01	1								
17	Water Regulating Valve		4A0911-07	1								
18	Male Connector		4A1087-01	1								
19	Evaporator		1A3820G01	1								
20	Thermostatic Expansion Valve		4A4008-01	2								
21	Thermostatic Expansion Valve Cover		3A0944-01	2								
22	Thermostatic Expansion Valve Bulb Holder		3A0107-01	2								
23	Clamp		443461-02	2								
24	Hot Gas Valve Body		4A3978-01	1								
25	Liquid Line Valve Body		4A3276-01	1								
26	Valve Coil		4A3277-01	2								
27	Check Valve		4A1373-01	2								
28	High-Pressure Switch		463180-05	1								
29	Thermistor		429006-03	1								
30	Thermistor Holder		427430-01	1								
31	Strainer		441569-02	1								
32	Drier		4A1113-01	1								
33	Heat Exchanger		1A4600G01	1								

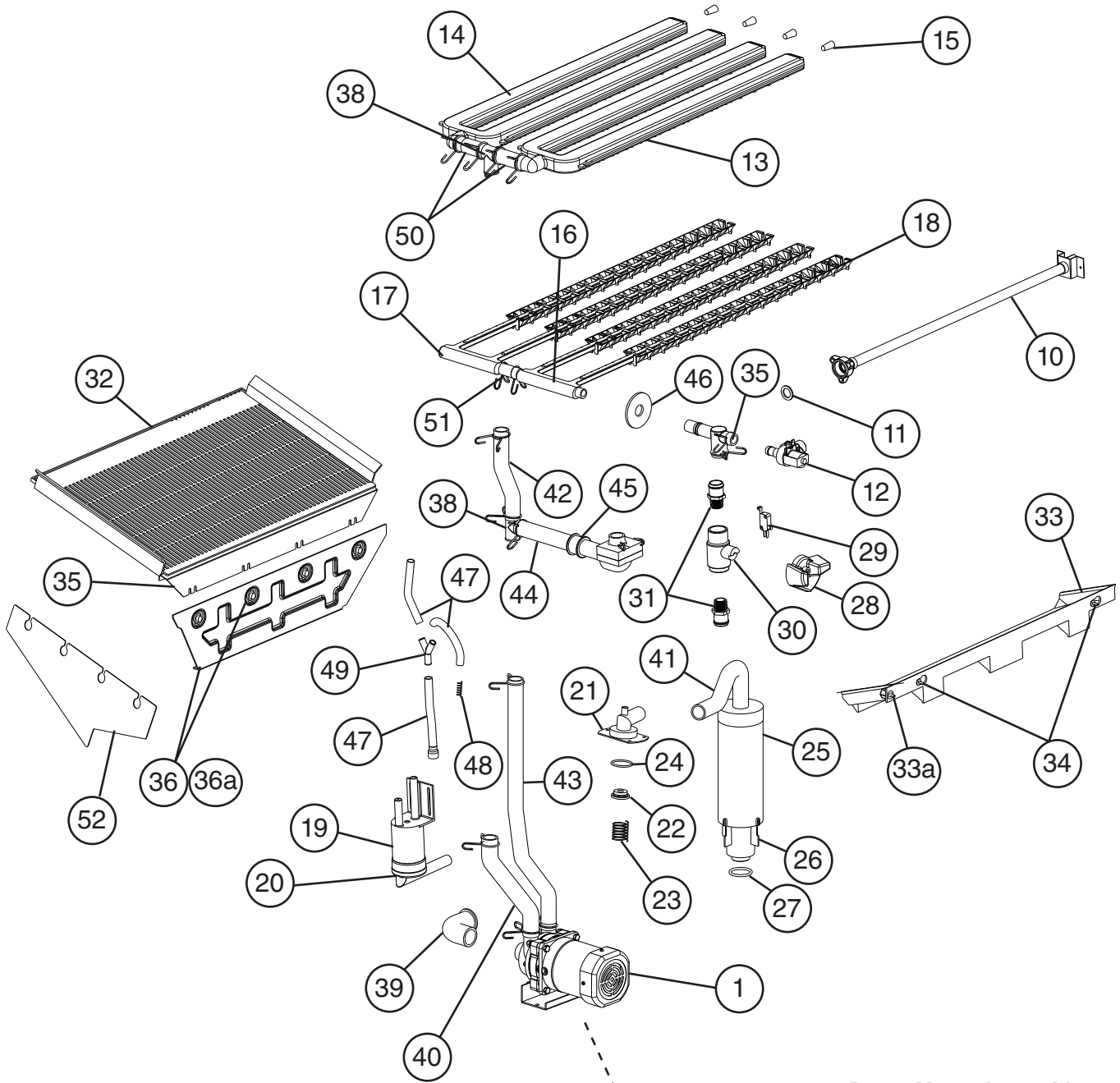
A. Main Assembly & Refrigeration Circuit
KM-901MRJ/3
 G-0 to J-0



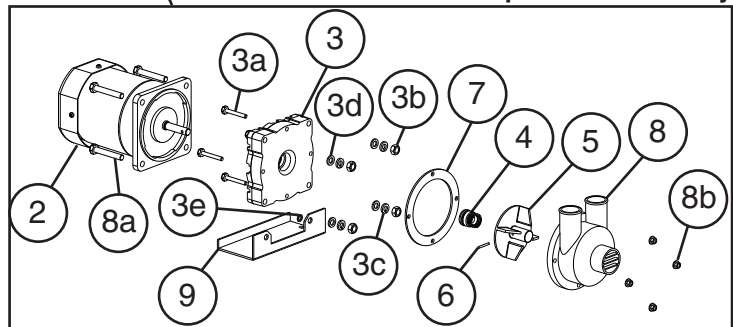
Title: A. Main Assembly & Refrigeration Circuit Model: KM-901MRJ/3

Index No.	Description	Material or Model Number	Part Number	Required Number										
				G-0 to H-1 (H)	H-1 (J) to H-2 (J)	H-2 (K) to J-0								
Main Assembly														
1	Front Panel A		1A3621-02	1	1	1								
2	Gasket	L=762 mm	4A0808L02	1	1	1								
3	Top Panel		3A1941A01	1	1	1								
4	Right Side Panel		1A3617G01	1	1	1								
5	Front Insulation		3A8392G01	1	1	1								
6	Top Insulation		322714G01	1	1	1								
7	Control Box Cover		3A9007-01	1	1	1								
8	Junction Box Cover		433410-01	2	2	2								
9	Thermostatic Bulb Holder Assembly		322815G02	1	1	1								
9a	Thumbscrew		415949G10	2	2	2								
10	Thermostatic Bulb Holder		3A3903-01	1	1	1								
11	Thermostatic Capillary Tube Bushing		425307-02	1	1	1								
12	Silicone Hose	L=285 mm	773013812	1	1	1								
13	Main Transformer	KM-901MRJ	4A5695-01	1	1	1								
		KM-901MRJ/3	4A0817-01	1	1	1								
14	Voltage Tap Switch		4A1477-01	1	1	1								
Refrigeration Circuit														
15	Compressor	KM-901MRJ	3A6900-01	1	1	1								
		KM-901MRJ3	3A9473-01	1	1	1								
16	Crankcase Heater		4A5091-01	1	1	1								
17	Receiver Tank	KM-901MRJ	437652-01	1	1	-								
			4A6213-01			1								
		KM-901MRJ3	437652-01	1	-									
			4A6213-01		1	1								
18	Evaporator		1A3820G01	1	1	1								
19	Thermostatic Expansion Valve		4A4008-01	2	2	2								
20	Thermostatic Expansion Valve Cover		3A0944-01	2	2	2								
21	Thermostatic Expansion Valve Bulb Holder		3A0107-01	2	2	2								
22	Clamp		443461-02	2	2	2								
23	Hot Gas Valve Body		4A3978-01	1	1	1								
24	Liquid Line Valve Body		4A3276-01	1	1	1								
25	Valve Coil		4A3277-01	2	2	2								
26	Check Valve		4A1373-01	2	2	2								
27	High-Pressure Switch		463180-04	1	1	1								
28	Thermistor		429006-03	1	1	1								
29	Thermistor Holder		427430-01	1	1	1								
30	Strainer		441569-02	1	1	1								
31	Drier		4A1113-01	1	1	1								
32	Liquid Line Coupling		4A3887G01	1	1	1								
33	Discharge Line Coupling		434136G01	1	1	1								
34	Heat Exchanger		1A4600G01	1	1	1								

B. Water Circuit
KM-901M_J/3
 G-0 to J-0



Pump Motor Assembly



Title: B. Water Circuit Model: KM-901M_J/3

Index No.	Description	Material or Model Number	Part Number	Required Number																
				G-0	G-1 to J-0															
1	Pump Motor Assembly	S-0731	215693A01	1	1															
2	Pump Motor		3A7682-01	1	1															
3	Pump Flange		215662-01	1	1															
3a	Hex Bolt	4x30	7B02-0430	4	4															
3b	Hex Nut		7N12-0600	4	4															
3c	Split Lock Washer		7L22-0600	4	4															
3d	Flat Washer		7W22-0600	4	4															
3e	Tooth Washer		7R22-0600	1	1															
4	Mechanical Seal		4A3820-01	1	1															
5	Impeller		428548-01	1	1															
6	Pin		4A0648-01	1	1															
7	Packing		428547-01	1	1															
8	Pump Housing		212636-01	1	1															
8a	Hex Bolt	6x40	7B02-0640	4	4															
8b	Hex Flange Nut		7J02-0400	4	4															
9	Pump Motor Bracket		435057-01	1	1															
10	Water Supply Pipe		4A5216G04	1	1															
11	Rubber Gasket		413854-03	1	1															
12	Inlet Water Valve	KM-901MAJ	3U0111-01	1	1															
		KM-901MWJ	3U0111-02	1	1															
		KM-901MRJ/3																		
13	Spray Tube		1A0260-02	1	1															
14	Spray Tube		1A0260-01	1	1															
15	Plug		4A0176-01	1	1															
16	Water Supply Tube		2A0079-02	1	1															
17	Water Supply Tube		2A0079-01	1	1															
18	Spray Guide		2A4282-02	4	4															
19	Float Switch		4A3624-02	1	1															
20	Float Switch Connector		426799-01	1	1															
21	Drain Valve Housing		3A1170-01	1	1															
22	Drain Valve Seat		433705-01	1	1															
23	Drain Valve Spring		322685-01	1	1															
24	O-Ring		7611-G035	1	1															
25	Overflow Cap		322816-01	1	1															
26	Overflow Pipe		322691-02	1	1															
27	O-Ring		4A1234-01	1	1															
28	Cleaning Valve Handle		215383-01	1	1															
29	Cleaning Valve Microswitch		4A2546-01	1	1															
30	Cleaning Valve Ball Valve		439293-01	1	1															
31	Cleaning Valve Male Adapter		325826-01	2	2															
32	Cube Guide (A)		214905-01	1	1															
33	Cube Guide (B)		322644-02	1	1															
33a	Thumbscrew		415949G10	1	1															
34	Collar		435269-01	2	2															
35	Plate		3A0133-01	1	1															
36	Separator		322688-01	1	1															
36a	T2 Screw	4x10	7P32-0410	4	4															
37	Distributor A (Tee)		4A0177-01	1	1															

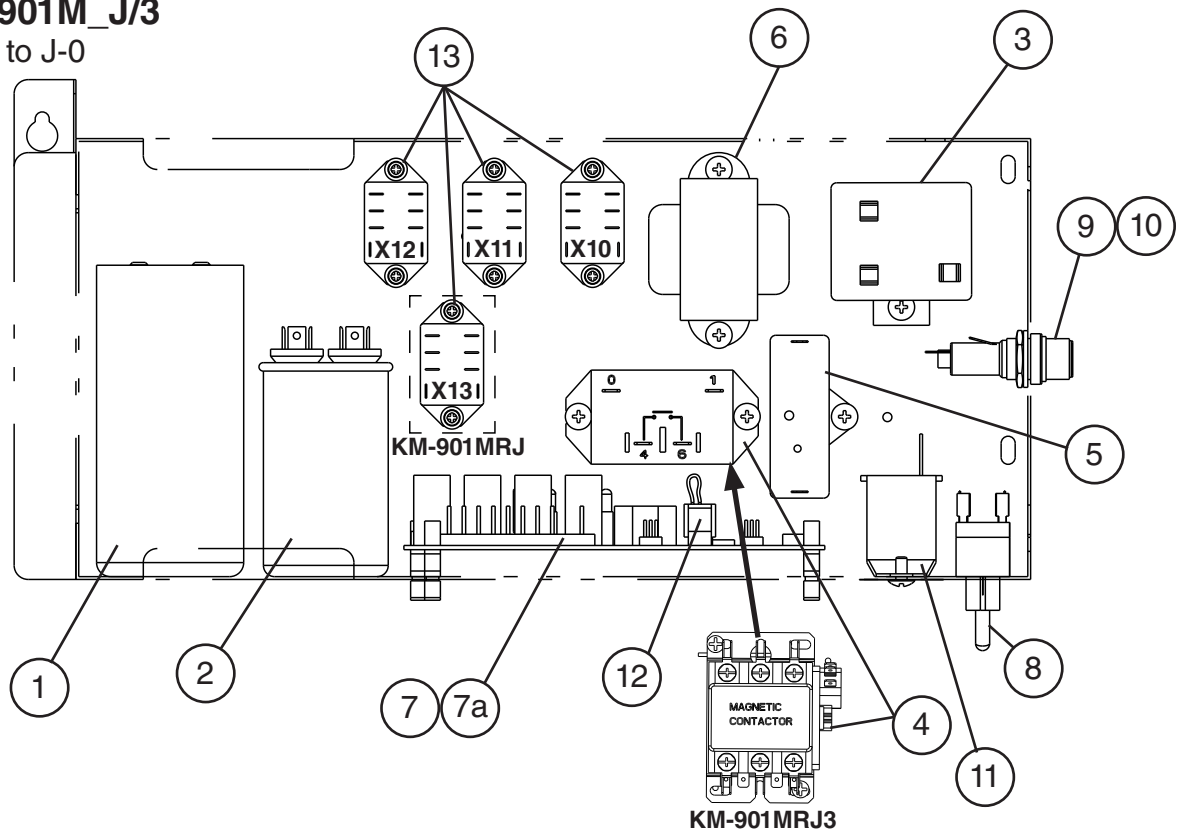
Title: B. Water Circuit Model: KM-901M_J/3

Index No.	Description	Material or Model Number	Part Number	Required Number									
				G-0	G-1 to J-0								
38	Distributor (Tee)		432426-01	2	2								
39	Suction Hose		435091-01	1	1								
40	Rubber Drain Hose A		435092-01	1	1								
41	Hose C		326655-01	1	1								
42	Vinyl Hose	L=170 mm	7716-2025	1	1								
43	Vinyl Hose	L=470 mm	7716-2025	1	1								
44	Bypass Hose		439265-01	1	1								
45	Rubber Ring		439236-01	1	1								
46	Flange		439267-01	1	1								
47	Silicone Hose	L=140 mm	773013812	3	3								
48	Spring		435825-01	1	1								
49	Connector		432763-01	1	1								
50	Vinyl Hose	L=63 mm	7716-2025	2	2								
51	Vinyl Hose	L=47 mm	7716-1519	1	1								
52	Splash Guard		4A6118-01		1								
Hose Clamps													
	Hose Clamp	25 mm	427443-03	11	11								
	Hose Clamp	18 mm	427443-05	3	3								
	Hose Clamp	27 mm	427443-08	2	2								

C. Control Box Assembly

KM-901M_J/3

G-0 to J-0

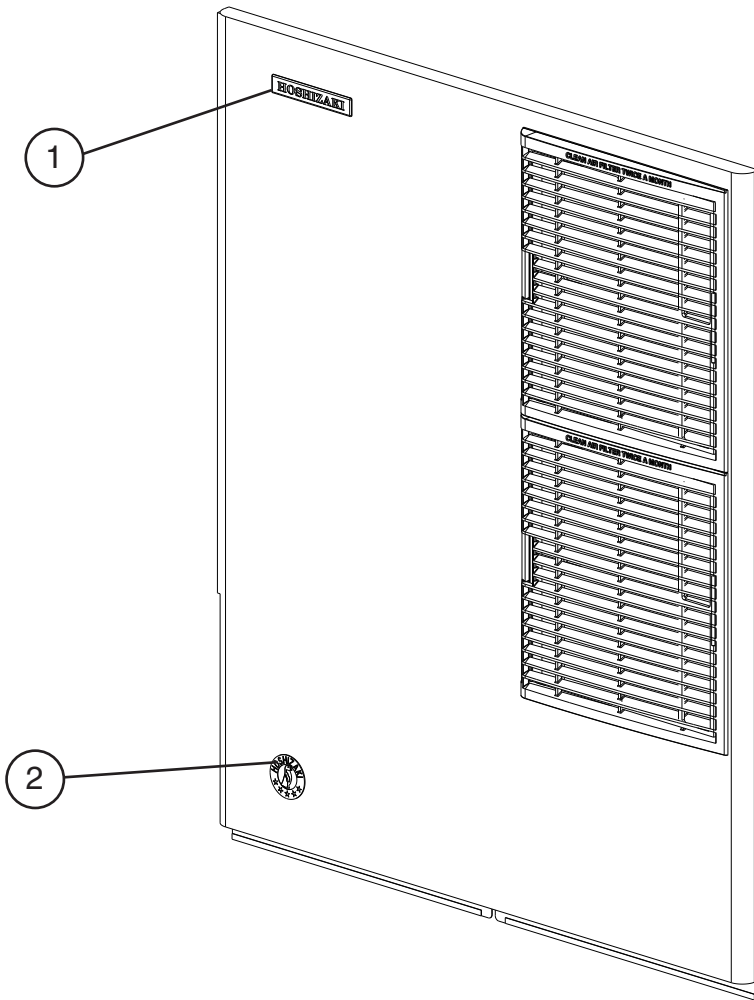


Title: C. Control Box Assembly		Model: KM-901M_J/3		Required Number						
Index No.	Description	Material or Model Number	Part Number	G-0	G-1 to J-0					
				1	Start Capacitor	KM-901MAJ	3A0076-22	1	1	
2	Run Capacitor	KM-901MWJ	3A2005-10	1	1					
3	Start Relay	KM-901MRJ	4A1107-07	1	1					
4	Compressor Relay	KM-901MAJ KM-901MWJ KM-901MRJ	4A3140-01	1	1					
	Magnetic Contactor	KM-901MRJ3	4A0794-01	1	1					
5	Pump Motor Capacitor		4A6435-01	1	1					
6	Control Transformer		3A0172-01	1	1					
7	Control Board		2A7664-01	1	-					
			2A7664-04		1					
7a	Control Board Support		4A0336-03	4	4					
8	Toggle Switch (control)		443119-01	1	1					
9	Fuse Holder		4A5443-01	1	1					
10	Fuse		4A0893-07	1	1					
11	Bin Control Thermostat		4A2879-02	1	1					
12	Jumper Connector		4A4883G01	1	1					
13	Relay (X10 - Pump Motor Relay X11 - X10 Control Relay X12 - Slush Control Relay)	All Models	406132-07	3	3					
	Relay (X13 - Crankcase Heater Relay)	KM-901MRJ		1	1					

D. Accessories & Labels

KM-901M_J/3

G-0 to J-0



Title: D. Accessories & Labels		Model: KM-901M_J		Required Number								
Index No.	Description	Material or Model Number	Part Number	G-0 to J-0								
1	Hoshizaki Emblem Label		4A0560-01	1								
2	Penguin Label		475552L02	1								
3	Universal Brace		4A0363-01	2								
3a	Hex Bolt	5x12, SS	7B02-0512	2								
4	Thumbscrew		415949G10	2								